

hanskonner

надежно. профессионально

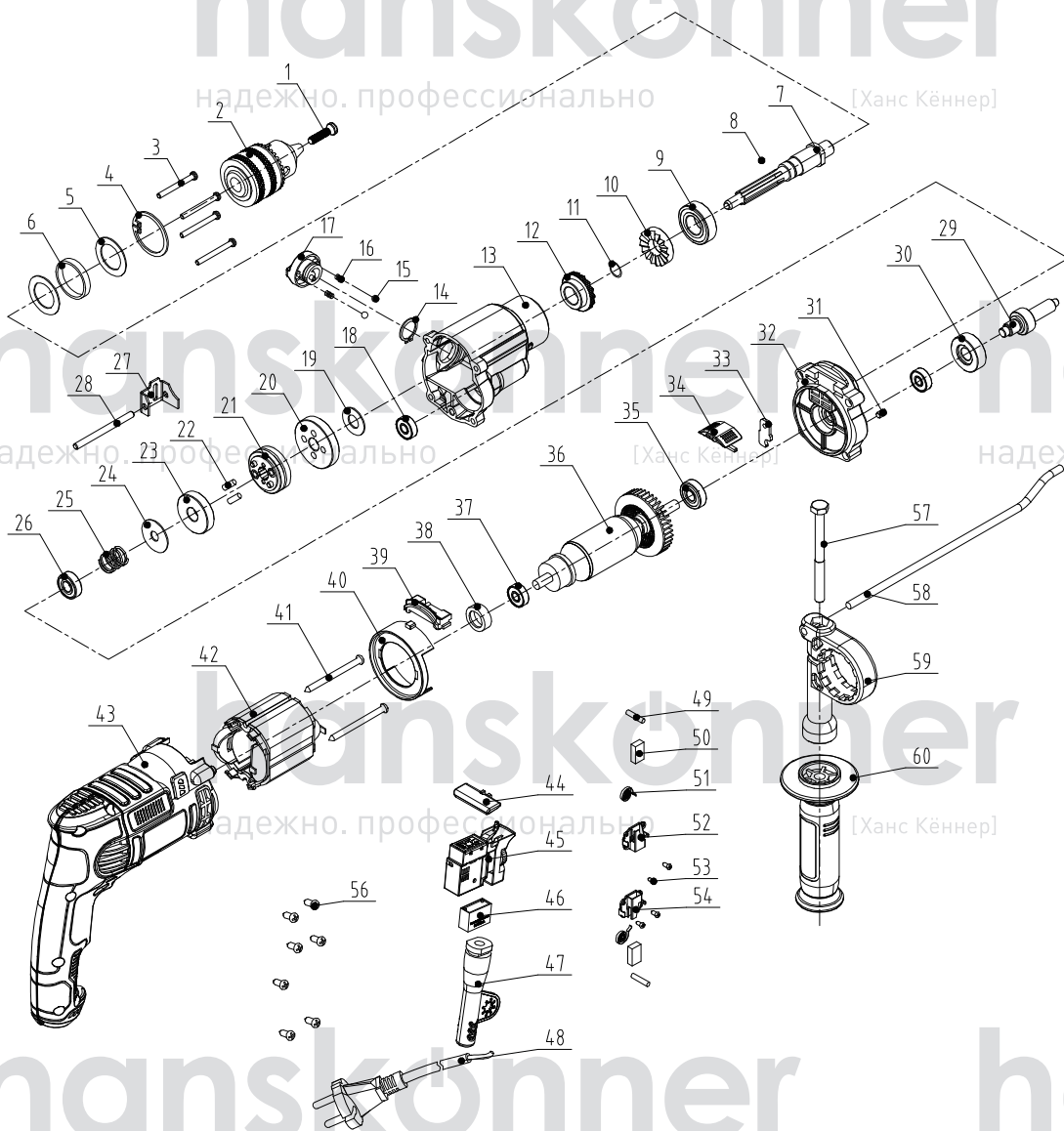
[Ханс Кённер]

hanskonner

надежно. профессионально

[Ханс Кённер]

HID21100DS



NO.	DESCRIPTION	SPEC.	NO.	DESCRIPTION	SPEC.
1	SCREW	M6×25	32	MIDDLE COVER	
2	CHUCK	13MM	33	CHANGE PLATE	
3	TAPPING SCREW	ST4.8X40	34	IMPACT/DRILL CHANGE SWITCH	
4	CRICLIP	∅35	35	BEARING	609-2RS
5	WASHER	Φ19.5*Φ34.5*1	36	ROTOR	∅35X50
6	WOOL WASHER	Φ16*Φ32*4	37	BEARING	607-2Z
7	SPINDLE		38	BUSH	
8	STEEL BALL	S∅4	39	BASE	
9	BEARING	6003-2RS	40	WIND GUIDE	
10	MOVING IMPACT GEAR		41	TAPPING SCREW	ST4.2X60
11	CRICLIP	∅14	42	STATOR	∅61X50
12	STOP IMPACK GEAR		43	HOUSING	
13	GEAR BOX		44	DIRTECTION POLE	
14	CRICLIP	∅18	45	SWITCH	FA2-6/1BEK
15	STEEL BALL	S∅5	46	CAPACITOR	0.22UF
16	SPRING		47	CABLE SLEEVE	
17	TWO SPEED KNOB		48	CABLE	2*0.75
18	BEARING	607-2Z	49	INDICATOR	
19	WASHER	∅12X∅25X1	50	CARBON BRUSH	5*10*17
20	BIG GEAR		51	COIL SPRING	
21	MOVING BLOCK		52	UPPER BRUSH HOLDER	
22	PIN	∅4X20	53	TAPPING SCREW	ST3X10
23	PINION		54	DOWM BRUSH HOLDER	
24	WASHER	∅12X∅29.5X1	56	SCREW	ST4.2X16
25	SPRING		57	BOLT	M8X90
26	BEARING	608-2Z	58	DEPTH RULER	
27	TWO SPEED FORK	Δ1.5	59	HANDLE CLMAP	
28	PIN	∅5X65	60	DOWN HANDLE	
29	MIDDLE SHAFT				
30	MIDDLE GEAR				
31	PIN	∅5X10			

надежно. профессионально

[Ханс Кённер]

надежно. профессионально

[Ханс Кённер]

HID21100DS-EX-RUS220610